

## PRODUCT MANUAL

# Mk 2 Outdoor Retractable Clotheslines

## Model 4/5/6 Line



**IMPORTANT - READ THESE INSTRUCTIONS BEFORE USING YOUR CLOTHESLINE**

Model	Product Code	Maximum load capacity
<b>4 LINE</b>	A02841400	16kg (4kg per line)
<b>5 LINE</b>	A02841401	20kg (4kg per line)
<b>6 LINE</b>	A02841402	24kg (4kg per line)

Product Code	
Date of purchase	
Name & location of supplier	

**Please check the carton contains all the required parts before installing the clothesline.**

Your carton should contain the following:

- Daytek 4/5/6 Outdoor Retractable Clothesline x 1**
- Wall to Wall fixing pack including detailed installation instructions x 1**  
(Fixing pack provided is for installing to bricks and timber walls only. For fixing to other type of wall structures consult you local hardware specialist)
- Bonus Daytek Pegs**

RECTD0619-V1

# INSTALLATION OPTIONS

- Wall to Wall - All fixing required included inside pack
- Wall to Post - Requires additional Daytek Post Kit Model #A02841043 x 1
- Post to Post - Requires additional Daytek Post Kit Model #A02841043 x 2

# INSTALLATION INSTRUCTIONS

**Important:** Recommended installation height of line is **user height + 100mm minimum**. Maximum wall to wall distance of 7 metres. Ensure selected position has a clearance of 1 metre minimum on either side.

**For timber wall installations**, follow instructions and use 5mm diameter to drill all mounting hole positions and discard plastic plugs when installing cabinet and bracket.

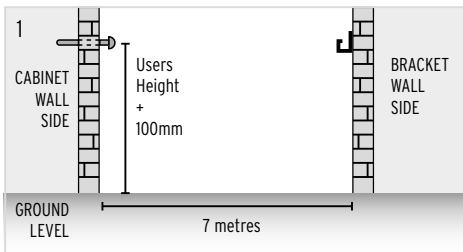
### Tools required for installation:

- 8 metre measuring tape & pencil marker
- Hammer
- Hammer drill
- Masonry drill bit (10mm diameter)
- Socket set or adjustable wrench
- 1 spirit level 500 - 800mm long (optional)
- Twist drill 5mm diameter (optional)

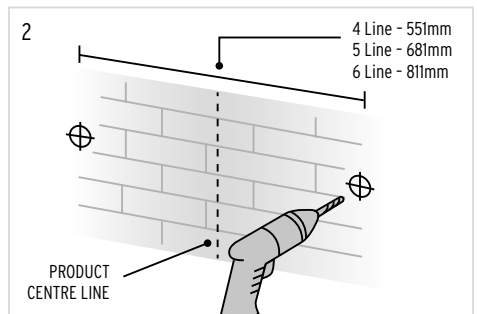
### Wall Mounting Hole Position Table:

Model	Cabinet Mounting Distance (centre to centre hole positions - mm)	Bracket Mounting Distance (centre to centre hole positions - mm)
4 Line	551	35 + 225 + 35
5 Line	681	35 + 355 + 35
6 Line	811	35 + 225 + 35

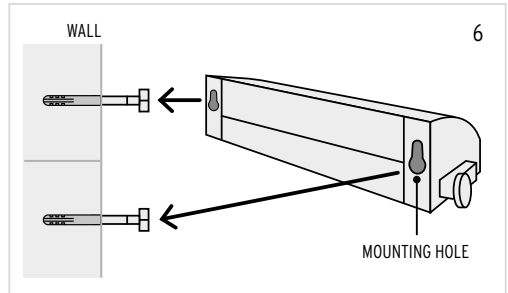
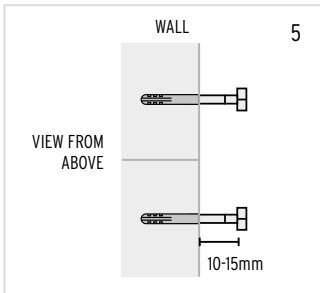
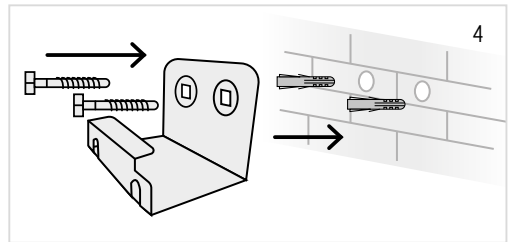
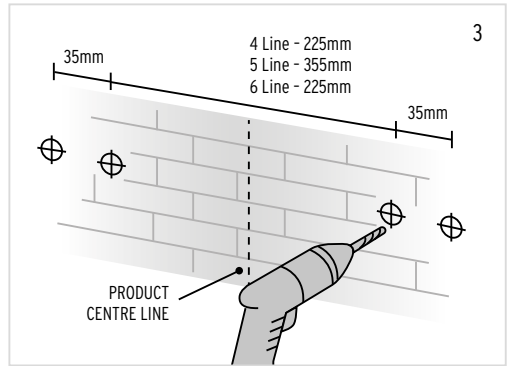
- 1. Mark recommended installation height, cabinet and bracket centre positions**  
(refer to Wall Mounting Hole Position Table).  
(See Fig. 1)



- 2. Drill two cabinet mounting holes with 10mm diameter x 50-60mm depth on the cabinet wall side.**  
(See Fig. 2)



3. **Drill four mounting holes with 10mm diameter x 50-60mm depth on the bracket wall side.** (See Fig. 3)
4. **To install bracket, insert plastic plug into the hole and secure bracket with screws and tighten into position.** Repeat to install second bracket. (See Fig. 4)
5. **To install cabinet, insert plastic plug into the hole and affix screws leaving 10-15mm distance from shoulder head to the wall.** (See Fig. 5)
6. **Align and locate cabinet mounting hole into screw and pull down slightly to secure correctly.** Ensure unit is sitting flat and if required reduce distance of screw from the wall to suit. (See Fig. 6)

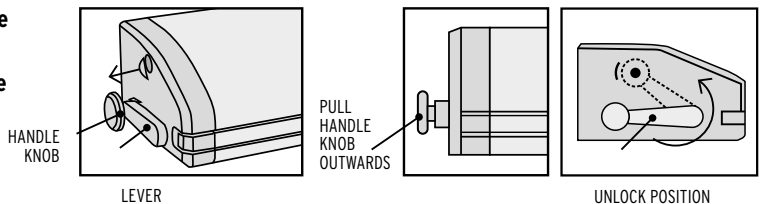


## OPERATING INSTRUCTIONS

### IMPORTANT!

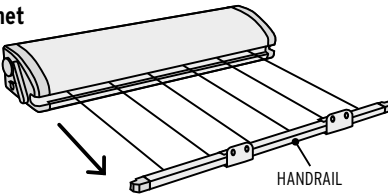
This clothesline is self-tensioning. **LEVER IS NOT TO BE USED AS A WINDING MECHANISM.** With lever in the UNLOCK position, the clothesline will self-tension. Once line has self-tensioned, rotate the lever into the LOCK position.

1. **Check that the handle knob is pulled out and the lever is in the UNLOCK position.**



## OPERATING INSTRUCTIONS (CONTINUED)

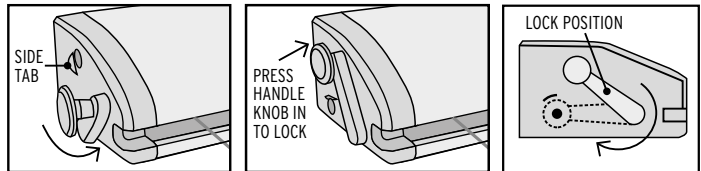
2. Gently pull handrail out from side of cabinet and hook onto brackets on the opposite wall.



### SAFETY HINT

Always return lever to the LOCK position once clothesline is extended to final position. Do not use clothesline other than to hang and dry washing. Ensure clothesline is not used as play item by children swinging or hanging on lines.

3. Rotate the lever anticlockwise into the LOCK position. Do not rotate handle past the side tab. Push handle knob inwards to lock into position and secure the line.



**Note:** Moving the lever into the LOCK position will place some final tension on the line.

### RE-TENSION LINE

To re-tension line, move lever to UNLOCK position. Unhook handrail from bracket and allow line to retract into unit. Pull handrail back out to position and hook onto brackets. Re-position lever into the LOCK position and press handle knob to secure.

### SPECIAL NOTE

Due to the large distance this clothesline extends, the line may sag under load. This is due to physics, much like an acrobat walking on a tightrope. You can reduce the effects of this by spreading the washing load evenly over the number of lines and the length of the line. Also ensure heavier items are hung towards the ends.

## 15 YEAR PRODUCT WARRANTY

Our goods come with guarantees that cannot be excluded under the Australian Consumer Law. You are entitled to a replacement or refund for a major failure and for compensation for any loss or damage. You are also entitled to have the goods repaired or replaced if the goods fail to be acceptable quality and the failure does not amount to a major failure. If any part of this clothesline fails to operate correctly due to faulty workmanship or defective

material Daytek Australia will repair or replace free of cost within 15 years from the original date of purchase (receipt of purchase required). Warranty does not cover bonus items. Any evidence of misuse or incorrect adjustment will void the warranty. To claim a product warranty, please contact Daytek Australia directly. You must bear the cost of claiming the warranty. This warranty is in addition to other rights and remedies of the customer under law.

Manufactured/Supplied by Daytek Australia Pty. Ltd.

77-81 Gower Street, Preston

Victoria 3072 Australia

T +61 3 9470 1755

F +61 3 9470 5381

E [enquiry@daytek.com.au](mailto:enquiry@daytek.com.au)

[daytek.com.au](http://daytek.com.au)



**Daytek**<sup>®</sup>  
Design for Today