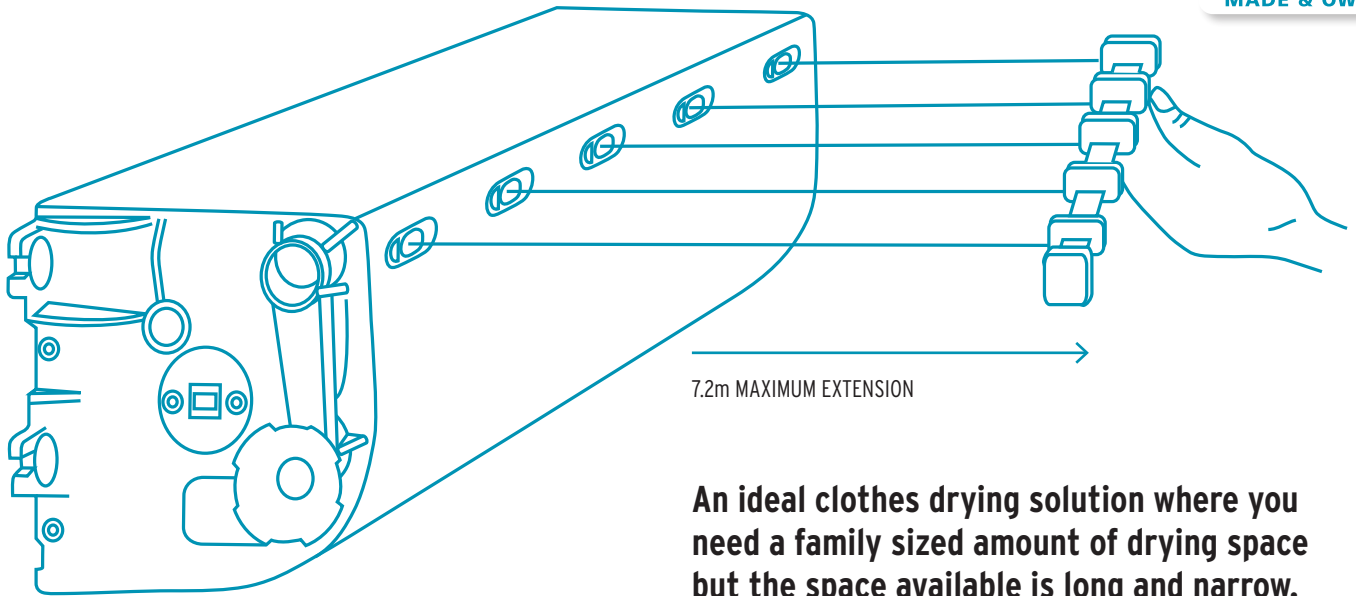


Daytek®

5 Line Retractable Clothesline



7.2m MAXIMUM EXTENSION

An ideal clothes drying solution where you need a family sized amount of drying space but the space available is long and narrow.

This product is simple and effective to use. It is manufactured from the highest quality components, ensuring it has a long and reliable service life. It also comes with a 5 year warranty.

It can be wall or post mounted, through the use of the optional Cabinet and Hand Rail Ground Mount Kits. The galvanised steel posts are amongst the strongest on the market, preventing bending or twisting.

As packed for 'wall to wall' installation

For 'wall to post' installation you require an additional 'Daytek Hand Rail Post Kit'

For 'post to post' installation you require an additional 'Daytek Hand Rail Post Kit' plus 'Daytek Cabinet Post Kit'

Wall fixings NOT supplied

Comprehensive installation instructions inside carton

Each line extends to 7.2m with total line space 36m
145mm line spacing for ease of clothes hanging
Single turn of cabinet handle locks all 5 lines taut
Individual line tensioning avoids tangling of lines during recoil
Galvabond steel components for corrosion resistance
Sub-assembled for DIY consumer
Primrose Model No. 9312554406049

5 YEAR STRUCTURAL WARRANTY ON FRAME
(EXCLUDES LINE WHICH HAS 2 YEAR REPLACEMENT WARRANTY)

SPARE PARTS AVAILABLE

Weight
4.3kg

Installation service

An installation service is available in most metro areas

- Australian customers contact Customer Service on **+61 3 9470 1755** during business hours
- Customers in other countries - contact your local distributor
See the Daytek website for details

Dayton Tooling Pty Ltd

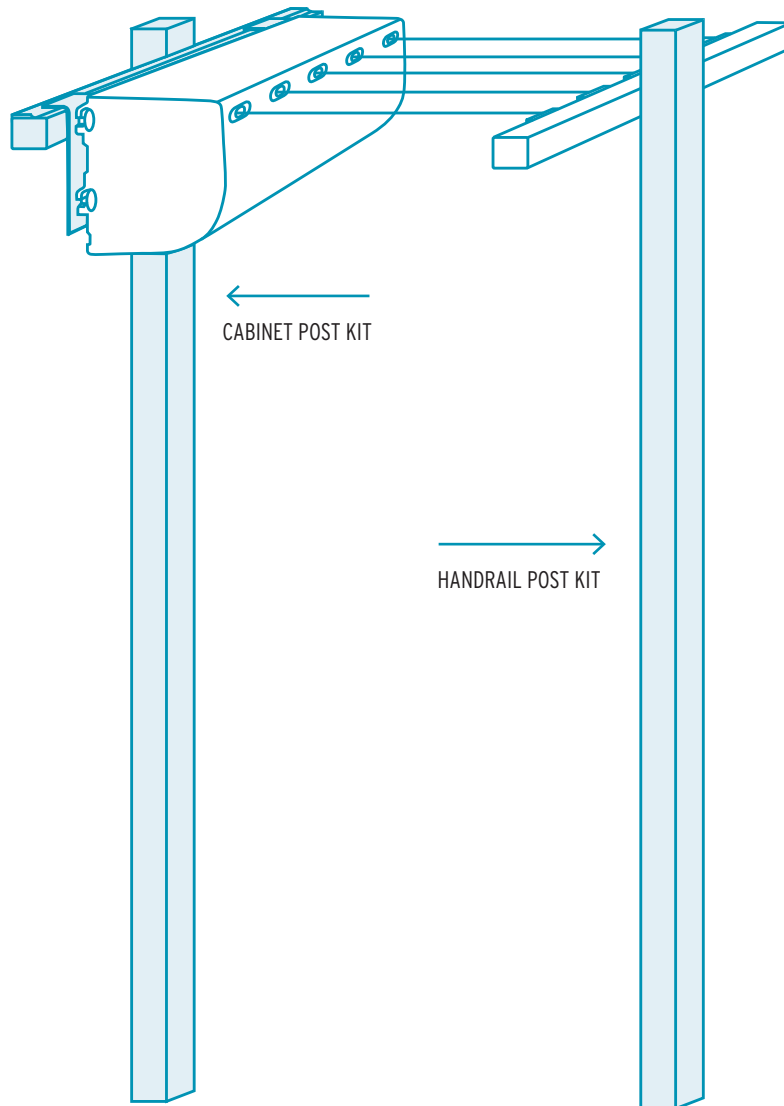
77-81 Gower Street Preston VIC Australia 3072
ACN 004 500 449 ABN 83 004 500 449
T +61 3 9470 1755

www.daytek.com.au

Daytek®

Cabinet Post Kit & Handrail Post Kit

For Daytek 5 Line Retractable Clothesline
Model No. 9312554406049



5 YEAR STRUCTURAL
WARRANTY ON FRAME

SPARE PARTS AVAILABLE

Weight

Cabinet Post Kit 8.6kg
Handrail Post Kit 6.6kg

Powder coated in Primrose (beige) to match 5 Line Retractable cabinet colour

Galvanised steel post for corrosion resistance

80 x 40mm rectangular section posts gives high resistance to twisting and bending, minimizing line sag under load

CABINET POST KIT Primrose Model No. 9312554406148

HANDRAIL POST KIT Primrose Model No. 9312554406131

Installation service

An installation service is available in most metro areas

- Australian customers contact Customer Service on +61 3 9470 1755 during business hours
- Customers in other countries - contact your local distributor
See the Daytek website for details

Dayton Tooling Pty Ltd

77-81 Gower Street Preston VIC Australia 3072
ACN 004 500 449 ABN 83 004 500 449
T +61 3 9470 1755

www.daytek.com.au