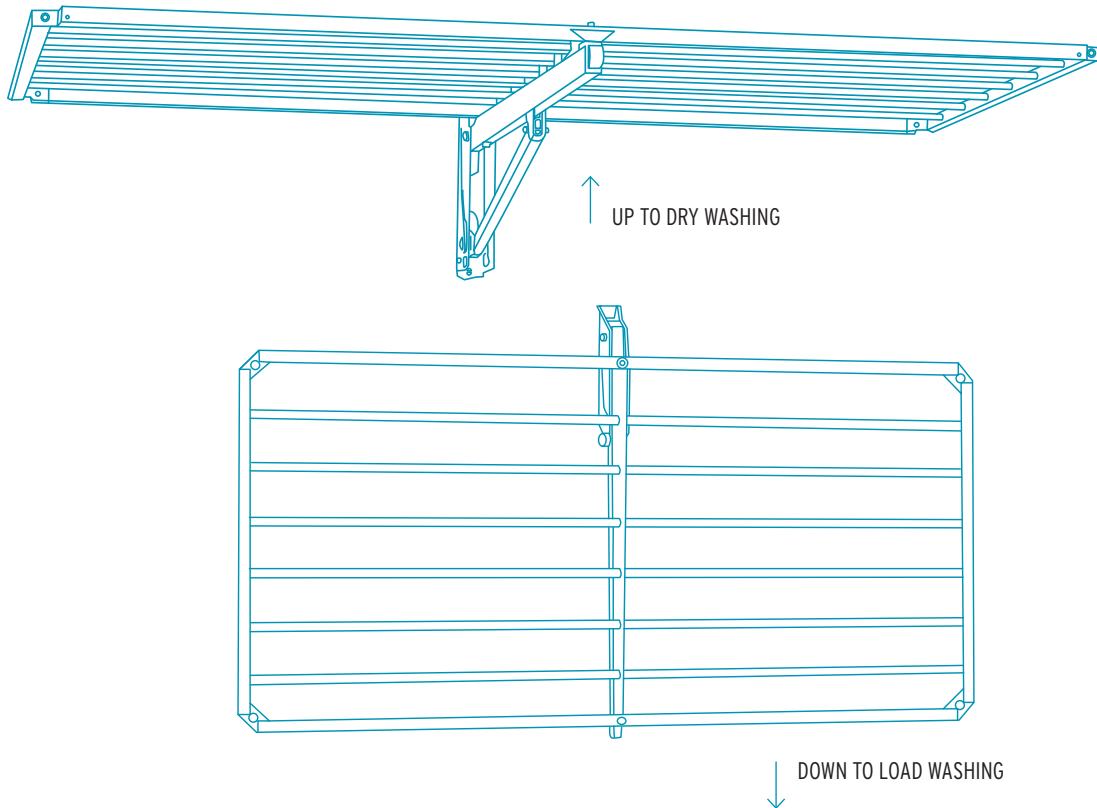


Daytek®

Indoor Clothes Dryer



This product is a popular indoor clothes drying alternative to portable clothes airers.

This unique design has a single 1.3m x 750mm frame, and 6 polished stainless poles, giving 7.5m of clothes hanging space. When not in use, you can fold the frame against the wall. It is designed to be installed above laundry sinks and benches.

10 YEAR WARRANTY

SPARE PARTS AVAILABLE

**Weight
5kg**

87mm rod spacing for ease of clothes hanging
7.5m of hanging space
750mm distance from wall
6 stylish polished stainless steel rods for clothes hanging
Frame and single wall bracket made from galvanised steel tube for corrosion resistance
One hand operation for folding up or down
1.3m of wall length required
Designed for wall mounting. Wall fixings not supplied
White powder coated frame
Model No. 9312554406056

Installation service

An installation service is available in most metro areas

- Australian customers contact Customer Service on **+61 3 9470 1755** during business hours
- Customers in other countries - contact your local distributor
See the Daytek website for details

Dayton Tooling Pty Ltd

77-81 Gower Street Preston VIC Australia 3072
ACN 004 500 449 ABN 83 004 500 449
T +61 3 9470 1755

www.daytek.com.au